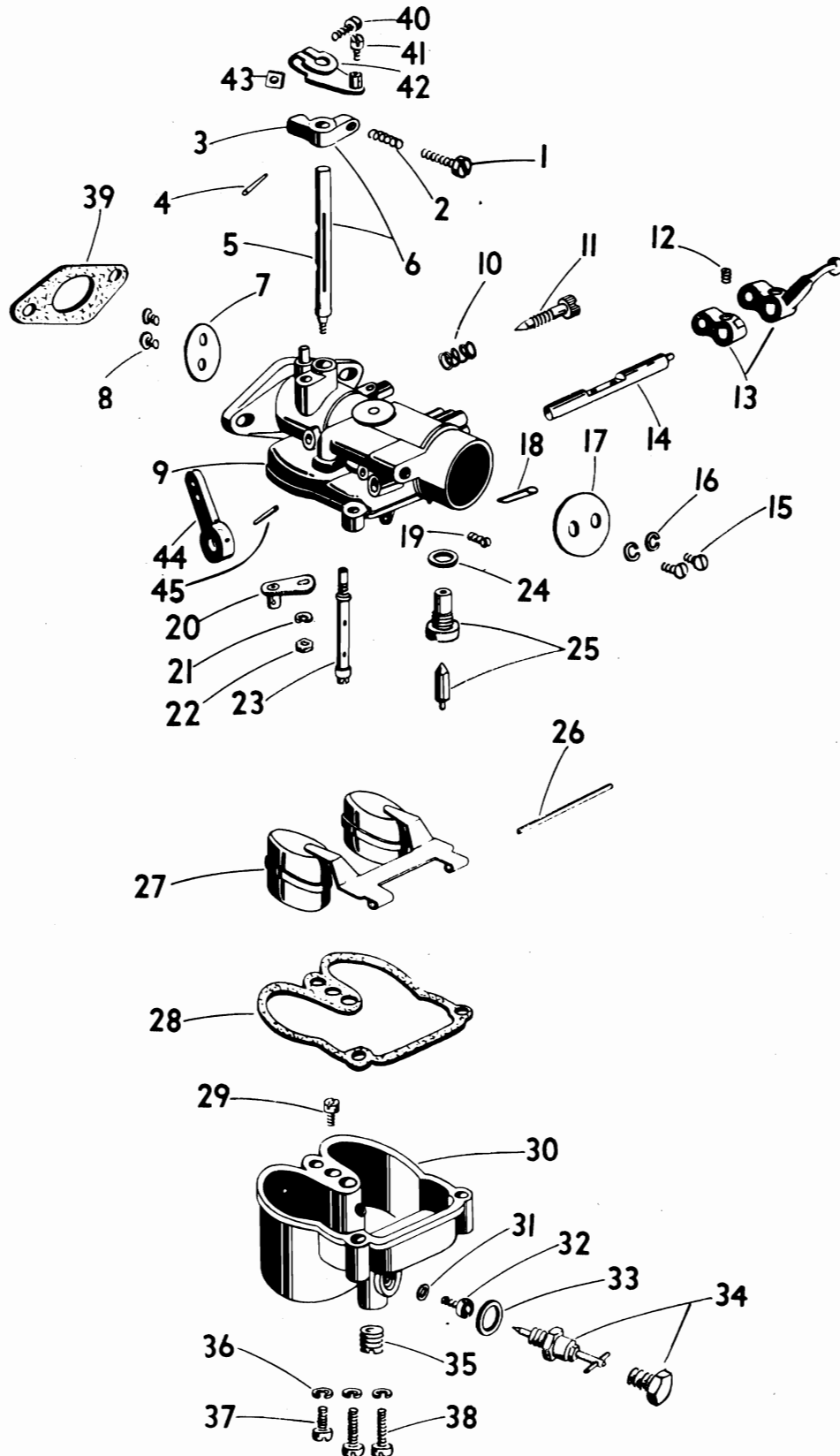


87 SERIES CARBURETOR PARTS PLATE
(Models 87B5, 87BY6)



87 SERIES CARBURETOR PARTS LIST

(Models 87B5, 87BY6)

Ref. No.	Part No.	Part Name
1	T11S6-10	Screw—throttle stop
2	C111-12	Spring—stop screw
6	C29-	*Lever and shaft—throttle
7	C21-159	Plate—throttle (87B5)
7	C21-157	Plate—throttle (87BY6)
8	C136-1	Screw—throttle plate
9	A2-	*Body—throttle
10	C111-155	Spring—idle adjusting needle
11	C46-49	Needle—idle adjusting
12	CT10-11	Set screw—choke lever
13		*Lever assembly—choke
14		*Shaft—choke
15	C140-47	Screw—choke plate
16	T45-4	Lockwasher—choke plate screw
17	C102-87	Plate—choke (all except 10350—10863)
17	C102-97	Plate—choke (10350)
17	C102-104	Plate—choke (10863)
18	C63-140	Tube—pitot
19	CT10-10	Set screw—pitot tube
20	C25-120	Lever—throttle (10258—10549—S1151)
20	C25-121	Lever—throttle (10480)
21	T41-10	Lockwasher—throttle shaft nut
22	C158-4	Nut—throttle shaft
23	C66-	*Jet—discharge
24	T56-20	Washer—fuel valve seat
25	C81-17-	*Valve and seat—fuel
26	C120-18	Axle—float

Ref. No.	Part No.	Part Name
27	C85-97	Float
28	C142-55	Gasket—bowl to body
29	C52-2-	*Jet—idle
30	B3-98	Bowl—fuel
31	T56-24	Washer—main jet
32	C52-7-	*Jet—main
33	T56-23	Washer—main passage plug
34	C138-23	Plug—main passage
34	C71-21	Adjustment—main jet
35	CT91-5	Plug—bowl drain
36	T41-8	Lockwasher—bowl to body screw
37	TIS8-8	Screw—bowl to body assembly (short)
38	TIS8-14	Screw—bowl to body assembly (long)
39	C141-4-10	Gasket—flange
40	T5S10-10	Screw—lever clamp
41	TIS8-4	Screw—swivel
42	C106-13R	Lever—throttle
43	T21S10	Nut—clamp screw
44	C25-45L	Lever—choke
45	CT63-9	Taper pin—choke lever
	C181-296	Gasket set
	K739	Basic repair kit

The following parts are special for assembly numbers 10223 and 10730

Ref. No.	Part No.	Part Name
	CT10-11	Set screw—choke shaft thrust collar
	C130-29	Collar—choke shaft thrust
	C117-58	Spring—choke lever
	TIS8-5	Screw—swivel

* Refer to the SPECIFICATION BULLETIN SECTION O2 for complete part number including size of calibrated parts.